



Pump and filter package c/w rigid pipework

Filterpak Plus

A filter and pump package c/w a multiport valve in the top or side position. Pump range includes the Silen range with flows from 10, 14 and 21 m³/hr. Motor powers of 0.6, 0.74, 1 and 1.5hp. Filter options include 500, 600 and 750mm diameter with top valve c/w rigid pipe and side valve with rigid pipes.

+ High working pressure

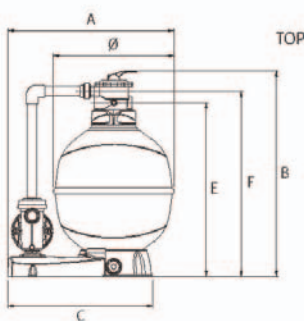


+ Minimisation of friction losses

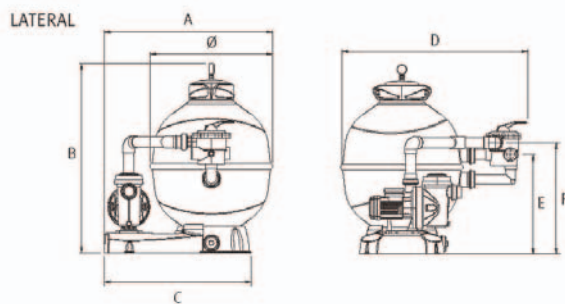
+ Top version with two half threads for cover fixing

+ Long life (according to the ANSI/NSF50 - 2004)

+ Life tests in excess of 700,000 cycles



MODEL	l/min	40	80	120	160	215	265	290	325	350	400
	m ³ /h	2.4	4.8	7.2	9.6	12.9	15.9	17.4	19.5	21	24
S1 60		13.6	13.2	12.6	10.9	6.7	3.2	-	-	-	-
S1 75		15.2	15	14.6	13.1	9.9	6	5.2	-	-	-
S1 100		16.9	16.5	16	15	12.9	10	8.4	5.9	-	-
S1 150		18.6	18.2	17.7	16.9	15.1	13	11.9	10	8.4	5.1



Ref	Dimensions					
	A	B	C	D	E	F
133291	803	981	744	-	815	873
132669	803	866	744	845	463	524
132670	853	957	744	945	501	562
132671	853	957	744	945	501	562
132673	1054	1100	871	1076	630	711

Ref	Price	Pool V(*) (m ³)	Filter			Pump			Valves		Packaging Weight Volume (m ³)	
			∅ (mm)	Flow (m ³ /h)	Sand (Kg)	Mod.	P2(HP)	A 1~ ∅ Asp.	Connection	Position		
133291	857	80	500	10	85	S1 60	0.60	3.7	50	1 1/2"	Top	25.0/0.369
132669	941	80	500	10	85	S1 60	0.60	3.7	50	1 1/2"	Lateral	24.0/0.443
132670	994	112	600	14	145	S1 75	0.75	5.5	50	1 1/2"	Lateral	27.0/0.647
132671	1,068	112	600	14	145	S1 100	1.00	6.2	50	1 1/2"	Lateral	27.0/0.647
132673	1,270	168	750	21	300	S1 150	1.50	7.1	50	2"	Lateral	38.0/1.15