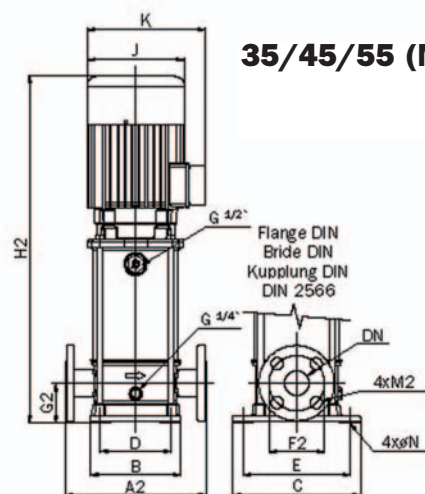
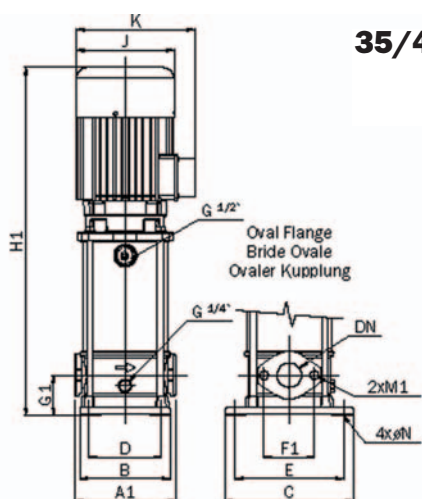


# Stainless steel inline vertical multistage pumps

# Multinox



	A1	A2	B	C	D	E	F1	F2	G1	G2	H1	H2	J	K	DN	M1	M2	ØN	Motor	Kg
Multinox 35 3	200		180	255	130	215	100		80		531		156	200	40	M12x30		13	IEC 80	26.9
Multinox 35 3M	200		180	255	130	215	100		80		531		156	230	40	M12x30		13	IEC 80	28.8
Multinox 35 4	200		180	255	130	215	100		80		556		156	200	40	M12x30		13	IEC 80	29.3
Multinox 35 4M	200		180	255	130	215	100		80		598		176	250	40	M12x30		13	IEC 90	33.2
Multinox 35 5	200		180	255	130	215	100		80		623		176	215	40	M12x30		13	IEC 90	33.6
Multinox 35 6	200		180	255	130	215	100		80		647		176	215	40	M12x30		13	IEC 90	36.4
Multinox 35 7		280	180	255	130	215		110		80		672	176	215	40		M16x60	13	IEC 90	37.2
Multinox 35 8		280	180	255	130	215		110		80		726	194	235	40		M16x60	13	IEC 100	41.8
Multinox 35 9		280	180	255	130	215		110		80		751	194	235	40		M16x60	13	IEC 100	45.4
Multinox 35 10		280	180	255	130	215		110		80		775	194	235	40		M16x60	13	IEC 100	46.2

	A1	A2	B	C	D	E	F1	F2	G1	G2	H1	H2	J	K	DN	M1	M2	ØN	Motor	Kg
Multinox 45 3	200		180	255	130	215	100		80		550		156	200	40	M12x35		13	IEC 80	29
Multinox 45 3M	200		180	255	130	215	100		80		550		156	230	40	M12x35		13	IEC 80	29
Multinox 45 4	200		180	255	130	215	100		80		623		176	215	40	M12x35		13	IEC 90	33.4
Multinox 45 4M	200		180	255	130	215	100		80		623		176	250	40	M12x35		13	IEC 90	33.4
Multinox 45 5	200		180	255	130	215	100		80		654		176	215	40	M12x35		13	IEC 90	34.6
Multinox 45 6	200		180	255	130	215	100		80		715		194	235	40	M12x35		13	IEC 100	39.2
Multinox 45 7		280	180	255	130	215		110		80		746	194	235	40		M16x50	13	IEC 100	45.3
Multinox 45 8		280	180	255	130	215		110		80		793	218	255	40		M16x50	13	IEC 112	57.5
Multinox 45 9		280	180	255	130	215		110		80		824	218	255	40		M16x50	13	IEC 112	58.5
Multinox 45 10		280	180	255	130	215		110		80		855	218	255	40		M16x50	13	IEC 112	60.5

	A2	B	C	D	E	F2	G2	H2	J	K	DN	M2	ØN	Motor	Kg
Multinox 55 3	300	180	255	130	215	125	90	586	156	200	60.3	M16x60	13	IEC 80	32
Multinox 55 3M	300	180	255	130	215	125	90	628	176	250	60.3	M16x60	13	IEC 90	36
Multinox 55 4	300	180	255	130	215	125	90	668	176	215	60.3	M16x60	13	IEC 90	37
Multinox 55 5	300	180	255	130	215	125	90	737	194	235	60.3	M16x60	13	IEC 100	43
Multinox 55 6	300	180	255	130	215	125	90	776	194	235	60.3	M16x60	13	IEC 100	48
Multinox 55 7	300	180	255	130	215	125	90	815	194	235	60.3	M16x60	13	IEC 100	52
Multinox 55 8	300	180	255	130	215	125	90	872	194	235	60.3	M16x60	13	IEC 112	63
Multinox 55 9	300	180	255	130	215	125	90	911	218	255	60.3	M16x60	13	IEC 112	64

# Multinox

## Stainless steel inline vertical multistage pumps



**+** *Stainless steel*

**+** *High performance*



### Applications

Pressurisation, irrigation, industrial use and drinking water supply.

### Materials

#### Pump Body

Stainless steel. AISI 304.

#### Suction and Discharge Ports

Stainless steel. AISI 304.

#### Impellers

Stainless steel. AISI 304.

#### Diffusers

Glass loaded polycarbonate.

#### Motor Shaft

Stainless steel. AISI 303.

#### Mechanical Seal

Graphite and alumine up to 90m

Graphite and silicon carbide from 90m.

### Motor

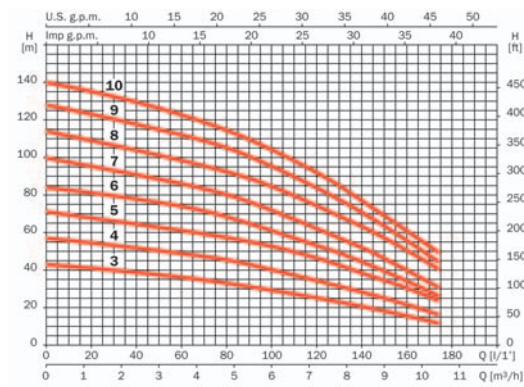
Class F insulation.

IP 44 Protection.

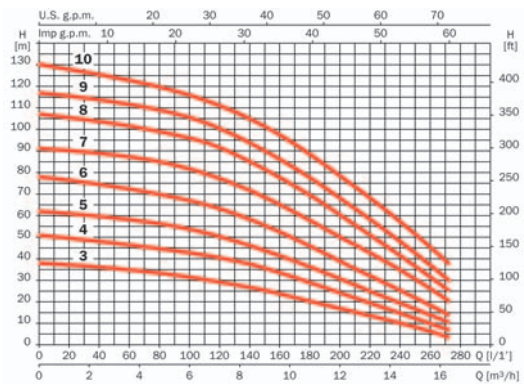
Continuous operation.

### Limitations

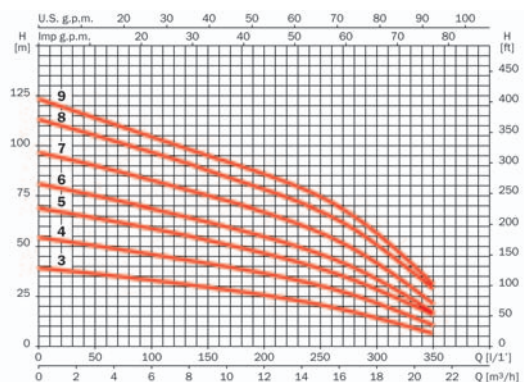
Maximum temperature of liquid: 35°C.



**35**



**45**



**55**

# Multinox

## Stainless steel inline vertical multistage pumps

Single phase	Price	Three phase	Price	A			P1 (kW)		kW	HP	µF	l/1' m³/h	10	30	50	80	100	130	150	170
				1~	3~		1~	3~												
				230 V	230 V	400 V	1~	3~												
<b>Multinox 35 4M</b>	<b>489</b>	<b>Multinox 35 4T</b>	<b>489</b>	9	3.7	3.7	2	1.8	1.5	2	40	56	54	50	45	40	31	25	17	
		<b>Multinox 35 5T</b>	<b>498</b>		8	4.6		2.4	2	3		70	66	63	57	53	43	35	25	
		<b>Multinox 35 6T</b>	<b>561</b>		8	4.6		2.7	2	3		83	80	76	68	61	49	40	28	
		<b>Multinox 35 7T</b>	<b>569</b>		8.6	5		3	2	3		97	93	88	80	72	57	46	33	
		<b>Multinox 35 8T</b>	<b>598</b>		11.2	6.5		3.8	3	4		112	106	101	92	85	69	57	43	
		<b>Multinox 35 9T</b>	<b>628</b>		14.5	8.4		4.3	4	5.5		125	120	115	105	95	77	63	47	
		<b>Multinox 35 10T</b>	<b>650</b>		15.4	8.9		4.6	4	5.5		138	132	126	115	104	85	69	53	

		Price
Counter flanges M2 kit	CBR DN40	<b>170</b>

		Price
Counter flanges M1 kit	CBR OV1"	<b>57</b>

Single phase	Price	Three phase	Price	A			P1 (kW)		kW	HP	µF	l/1' m³/h	10	40	80	120	160	200	240	270
				1~	3~		1~	3~												
				230 V	230 V	400 V	1~	3~												
<b>Multinox 45 3M</b>	<b>478</b>	<b>Multinox 45 3T</b>	<b>478</b>	8.4	6.4	3.7	1.9	1.9	1.1	1.5	25	38	36	33	29	24	17	10	4	
<b>Multinox 45 4M</b>	<b>535</b>	<b>Multinox 45 4T</b>	<b>535</b>	10.5	8.1	4.1	2.4	2.4	1.5	2	40	50	48	45	40	33	24	15	7	
		<b>Multinox 45 5T</b>	<b>567</b>		8.1	4.1		2.8	2	3		62	60	56	50	41	30	20	11	
		<b>Multinox 45 6T</b>	<b>589</b>		11.2	6.5		3.7	2	4		77	75	70	63	52	39	25	15	
		<b>Multinox 45 7T</b>	<b>618</b>		14.5	8.4		4.3	4	5.5		91	88	85	77	65	50	35	21	
		<b>Multinox 45 8T</b>	<b>756</b>		15	8.7		5.1	5	7.5		106	103	99	92	77	60	41	26	
		<b>Multinox 45 9T</b>	<b>772</b>		16.3	9.4		5.6	5	7.5		116	113	109	100	86	68	47	31	
		<b>Multinox 45 10T</b>	<b>802</b>		18	10.4		6.2	5	7.5		129	125	120	111	97	78	57	39	

		Price
Counter flanges M2 kit	CBR DN40	<b>155</b>

		Price
Counter flanges M1 kit	CBR OV1"	<b>57</b>

Single phase	Price	Three phase	Price	A			P1 (kW)		kW	HP	µF	l/1' m³/h	10	50	100	150	200	250	300	350
				1~	3~		1~	3~												
				230 V	230 V	400 V	1~	3~												
<b>Multinox 55 3M</b>	<b>555</b>	<b>Multinox 55 3T</b>	<b>555</b>	9.8	7	4.1	2.2	2.2	1.5	2	40	38	36	33	30	25	20	14	6	
		<b>Multinox 55 4T</b>	<b>591</b>		8	4.6		2.7	2.2	3		53	50	46	41	36	30	21	10	
		<b>Multinox 55 5T</b>	<b>630</b>		11.3	6.5		3.6	3	4		67	64	59	53	46	39	23	15	
		<b>Multinox 55 6T</b>	<b>693</b>		12.5	7.2		4.1	3	4		79	75	69	62	55	46	28	17	
		<b>Multinox 55 7T</b>	<b>739</b>		15.4	8.9		4.9	4	5.5		94	90	82	75	66	56	41	21	
		<b>Multinox 55 8T</b>	<b>860</b>		17	9.8		5.8	5.5	7.5		110	105	96	82	78	67	50	28	
		<b>Multinox 55 9T</b>	<b>902</b>		18.2	10.5		6.2	5.5	7.5		120	114	104	95	85	74	56	31	

		Price
Counter flanges M2 kit	CBR DN50	<b>160</b>