

Counter-current pump for small pools | Nadorbaby

Applications

To swim against the current for small swimming pools.

Materials

Pump Body

Glass loaded polypropylene.

Impeller

Glass loaded noryl.

Shaft

Stainless steel AISI 420.

Mechanical Seal

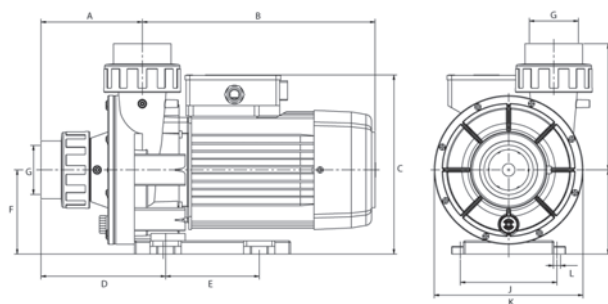
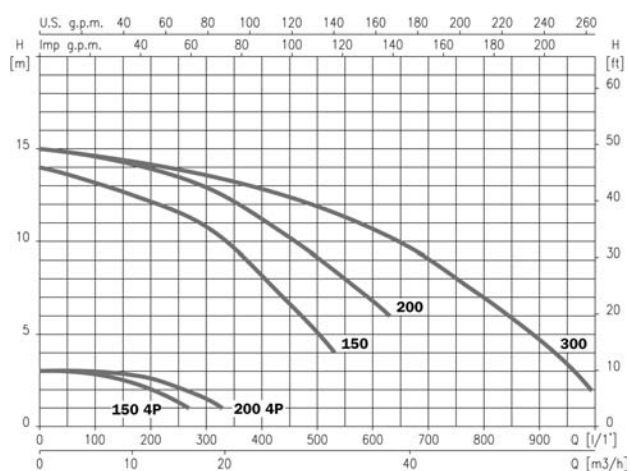
Graphite and alumine.

Motor

Insulation resistance 3750V
Class F insulation
IP55 Protection
Continuous operation
Built-in thermal protection.

Equipment

Complete with suction and discharge connections in Imperial or metric.



	A	B	C	D	E	F	G	H	I	J	K	L	M	Kg
Wiper3 200M	130	298.7	230	160	120	108	63	162	108	124	191	9	29	17
Wiper3 300M	130	298.7	230	160	120	108	63	162	108	124	191	9	29	18.8

230V/400V 50Hz	Price	A			P1 (kW)		kW	HP	μF	I/1' m³/h	50	100	200	300	400	500	600	900
		1~ 230V	3~		1~	3~												
			230V	400V														
Wiper3 200M	451	8.8	6.6	3.8	2	1.8	1.5	2	40	14.8	14.5	13.9	12.9	11.1	9.1	6.8		
Wiper3 300M	583	1.1	7.1	4.1	2.5	2.4	2	3	60	14.8	14.5	14.1	13.5	12.8	11.9	10.7	4.7	

For a complete package, please add accessories on page 110 to the above pump price.

Nadorbaby

Accessories



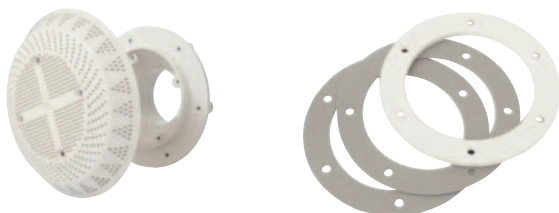
Jet kit

Ref	Description	Price
130632	NCB	83



**Flexible hose 1.5 mtrs
(pump to jet nozzle)**

Ref	Description	Price
104153	NCM	69



For lined swimming pools

Ref	Description	Price
130633	NCAL	60
130634	NCAH	60



For masonry, polyester, wood and prefabricated swimming pools



**Control
box**

Ref	Description	Price
134548	NCCM (1ph)	140
134549	NCCT (3ph)	170

