

Applications

Accumulation of pressurised water for all hydraulic domestic, agricultural and industrial applications.

Benefits

WRAS approval for drinking water useage, CE Marked,
The EPDM variable geometry replaceable membrane provides longer life by eleminating membrane stress throughout normal operational cycles.
A schrader valve is fitted to each vessel to provide air pressure adjustment for individual applications.

Limitations

Temperature range: 10°C. to +100°C.
AV003 - AH024 MAX PRESSURE 8 BAR
AV060 - AV500 MAX PRESSURE 10 BAR
16 Bar vessels available on request on AV008 - AV300



+ STAINLESS STEEL OPTIONS

+ STAINLESS STEEL FLANGE OPTIONS

+ REMOVABLE MEMBRANE

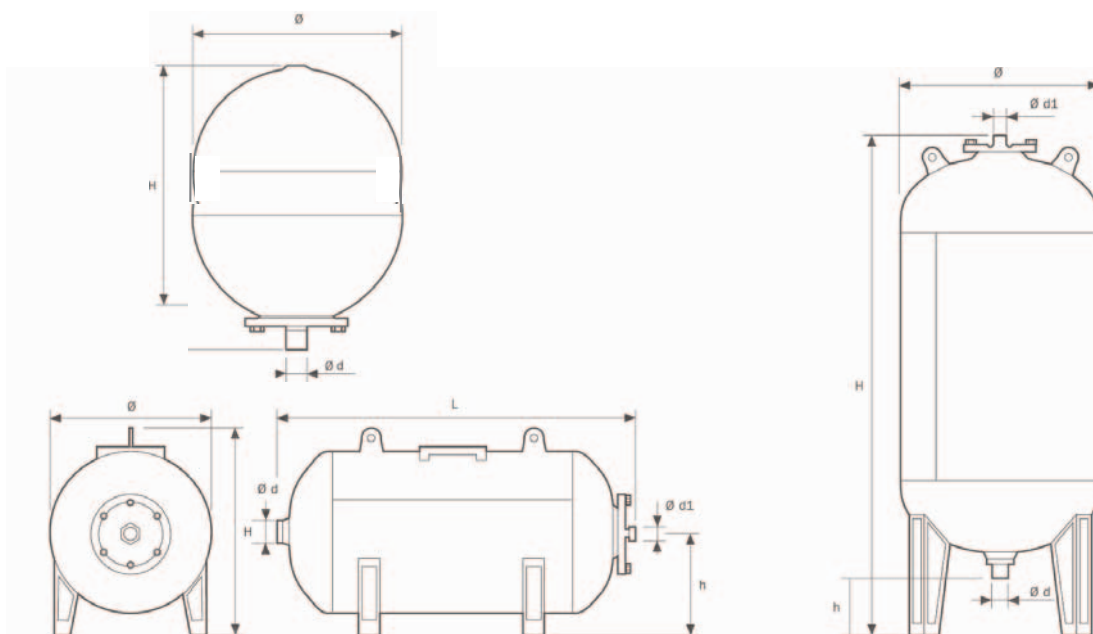


Replacement EPDM membranes	Code	Price
60/100 Ltr	ZMC100	75
150 Ltr	ZMC150	114
200 Ltr	ZMC200	126
300/500/700 Ltr	ZMC500	238
1000/1500 Ltr	ZMC500/1000	715
2000 Ltr (Butyl)	ZMC2000	2,796

Stainless steel bottom flanges	Code	Price
3/4" mgas (16-18-24)	ZMCS520	18
1" mgas (35-100)	ZMCS525	19
1 1/4" mgas (200-500)	ZMCS532	74
2 1/2" mgas (1000-1500)	ZMCS565	513

AV AH

Pressure vessels



	Price	Code	Capacity litres	Max Press bars	Ø mm	L mm	H mm	h mm	Ød	Ød1	Weight Kg
HORIZONTAL VESSELS											
24 Ltr	27	AH024	24	8	260	485			1"	-	6
60 Ltr	105	AH060	60	10	380	720			1"	-	13
100 Ltr	172	AH100	100	10	460	780			1"	-	21
200 Ltr	284	AH200	200	10	590	940			1 1/4"	3/4"	31
300 Ltr	351	AH300	300	10	650	1150			1 1/4"	3/4"	49
VERTICAL VESSELS											
3 Ltr	18	AV003	3	8	170	-	240		3/4"	-	2
8 Ltr	19	AV008	8	8	220	-	305		3/4"	-	3
18 Ltr	23	AV018	18	8	260	-	375		3/4"	-	5
50 Ltr	74	AV050	50	10	380	-	720		1"	-	
60 Ltr	103	AV060	60	10	380	-	830		1"	-	13
80 Ltr	135	AV080	80	10	460	-	760		1"	-	
100 Ltr	161	AV100	100	10	460	-	880		1"	-	20
150 Ltr	227	AV150	150	10	510	-	1030		1 1/4"	3/4"	28
200 Ltr	272	AV200	200	10	590	-	1070		1 1/4"	3/4"	31
300 Ltr	348	AV300	300	10	650	-	1250		1 1/4"	3/4"	49
500 Ltr	558	AV500	500	10	750	-	1600		1 1/4"	3/4"	91
750 Ltr	984	AV750	750	10	800	-	1820		2"	3/4"	157
1000 Ltr	1,852	AV1000	1000	10	800	-	2130		2 1/2"	3/4"	187
2000 Ltr	5,267	AV2000	2000	10	1100	-	2550		2 1/2"	3/4"	301