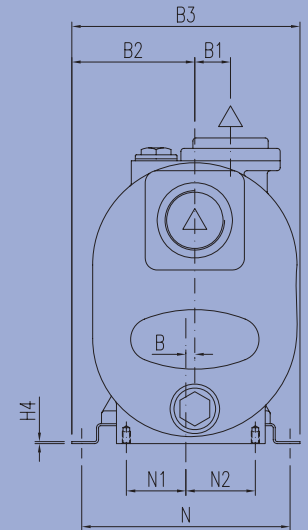


## Applications

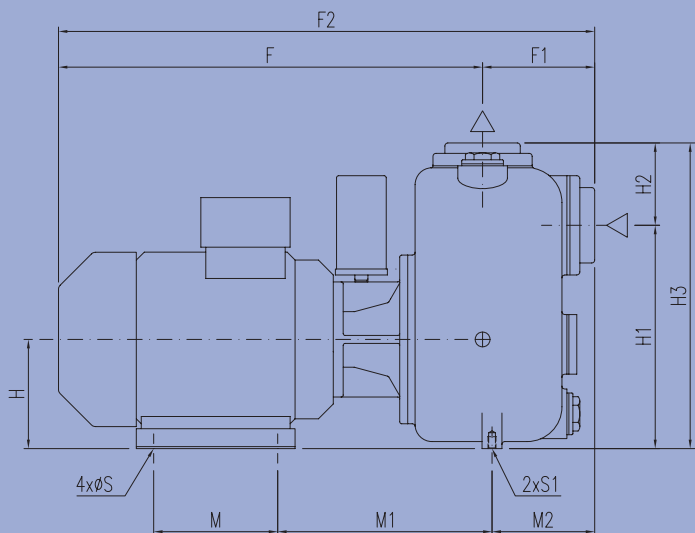
Self-priming centrifugal pumps of the S series are used for pumping clear or dirty fluids with solids. Special design features also make them suitable for abrasive liquids.

They are used in a variety of industries such as:

- Detergents and Cosmetics
- Ink and Printing Works
- Paper Mills
- Paints and Enamels
- Glues, Adhesive Tapes
- Plastics Industry



Type	Size in	Size mm	Solids Handling Ø mm	Capacity m³/h	Head m	Motor Power kW	Nominal Impel Ø mm	Pedestal Size
<b>2900 min-1</b>								
S40	1½"	40	20	20/12/5	8/13/16	1,1	110	1
S45	1½"	40	15	20/12/5	13/23/30	2,2	172	2
S50	2"	50	25	40/25/10	5/12/16	2,2	120	2
S60	2"	50	17	40/25/10	12/23/31	4	172	3
S63	2"	50	22	40/25/10	33/42/48	7,5	195	3
S68	2"	50	25	40/25/10	37/49/59	11	220	4
S80	3"	80	32	70/50/20	7/13/20	4	140	3
S83	3"	80	27	80/50/20	16/27/35	7,5	172	3
S 88	3"	80	35	90/50/25	30/45/52	15	220	4
S100	4"	100	45	140/100/50	8/20/26	11	160	4
S108	4"	100	40	140/100/50	20/37/47	22	220	5
<b>1450 min-1</b>								
S65	2"	50	25	40/25/10	5/11/14	2,2	220	4
S85	3"	80	40	80/50/30	6/12/14	4	220	4
S105	4"	100	35	140/100/50	5/10/13	5,5	220	4
S121	4"	100	45	150/100/50	16/21/25	11	280	5
S150	6"	150	50	260/200/100	5/9/12	11	220	5
S161	6"	150	60	300/200/100	10/16/21	18,5	280	5
S180	6"	150	40	300/200/100	21/28/33	30	358	6
S201	8"	200	57	500/350/200	6/12/16	22	280	6
S230	8"	200	72	600/400/200	22/31/36	55	358	6
S280	10"	250	on request					
<b>960 min-1</b>								
S170	6"	150	54	300/200/100	6/12/15	11	358	6
S220	8"	200	72	500/350/200	7/12/15	18,5	358	6
S270	10"	250	on request					
S300	12"	300	on request					



S 765080



	DN	mm	B	B1	B2	B3	F	F1	F2	H1	H2	H3	M	M1	M2	N	S	kg
<b>S40</b>	1 1/2"	40	7	29	112	210	366	98	464	187	70	257	100	186	87	190	9	25
<b>S45</b>	1 1/2"	40	7	80	122	242	392	122	514	237	75	312	125	181	112	210	9	38
<b>S50</b>	2"	50	9	36	124	230	427	113	540	227	83	310	125	216	103	210	9	38
<b>S60</b>	2"	50	9	36	149	280	456	113	569	267	83	350	140	233	98	240	12	55
<b>S63</b>	2"	50	9	94	154	290	450	144	594	272	83	355	140	204	134	260	12	71
<b>S80</b>	3"	80	13	40	153	280	465	140	605	277	101	378	140	242	125	240	12	62
<b>S83</b>	3"	80	12	85	157	290	460	170	630	277	101	378	140	214	160	260	12	73

	DN	mm	B	B1	B2	B3	F	F1	F2	H	H1	H2	H3	M	M1	N	N1	N2	R	P	S	S1	Kg
<b>S65</b>	2"	50	9,5	60	154	308	487	113	600	160	310	83	393	140	265	240	3	18	260	89	12	14	72
<b>S68</b>	2"	50	9,5	60	154	308	596	113	709	160	310	83	393	270	245	216	4	18	260	89	12	14	106
<b>S85</b>	3"	80	16	106	161	327	466	195	661	160	310	101	411	140	265	240	3	18	260	150	12	14	92
<b>S88</b>	3"	80	16	106	161	327	575	194	769	160	310	101	411	270	245	216	4	18	260	149	12	14	125
<b>S100</b>	4"	100	17	50	162	319	613	160	773	160	320	130	450	270	245	216	4	18	260	155	12	14	121
<b>S105</b>	3"	100	17	107	167	354	493	230	723	180	345	126	471	140	272	260	3	18	260	195	12	14	112
<b>S120</b>	4"	100	19	143	203	426	583	250	833	220	390	121	511	178	296	305	5	18	295	210	12	14	166
<b>S150</b>	6"	150	26	109	196	477	645	271	916	200	380	174	554	178	351	305	5	18	295	236	12	14	184
<b>S160</b>	6"	150	26	139	236	517	769	271	1040	230	410	174	584	254	370	385	5	18	315	236	14	14	273

