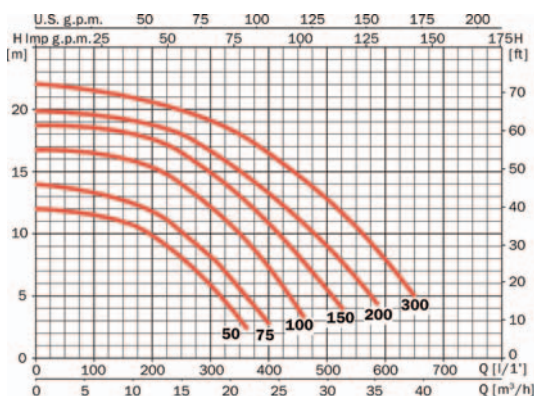


Self priming pumps for circulation and filtration of swimming pools

Silen 2



+ *Quiet running*

Applications

Recycling and filtration of medium and large swimming pools.

Materials

Pre-filter capacity

1.9 Litres

Pump Body

Glass loaded polypropylene.

Impeller

Glass loaded Noryl.

Diffuser

Glass loaded polypropylene.

Motor Shaft

Stainless steel. AISI 420.

Mechanical Seal

Graphite and alumine.

Motor

Class F insulation.

IP 55 Protection.

Continuous operation.

Single phase with built-in thermal protection.



Limitations

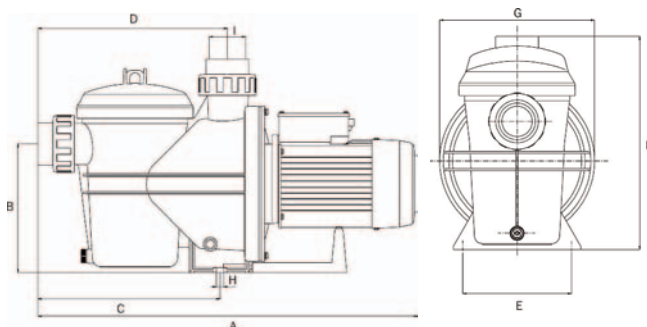
Maximum suction lift 4m.

+ *Sea water*

Equipment

Supplied with suction and discharge unions in metric or imperial.

MODEL	A			P1 (kW)		kW	HP	µF
	1~ 230V	230V	3~ 400V	1~	3~			
Silen2 50	4.1	3.5	2.0	0.9	0.9	0.55	0.75	25
Silen2 75	4.5	3.8	2.2	1.0	1.0	0.55	0.75	25
Silen2 100	7	4.8	2.8	1.5	1.6	0.92	1.25	25
Silen2 150	8.5	5.3	3.1	1.9	1.9	1.1	1.5	25
Silen2 200	9.7	6.5	3.8	2.2	2.2	1.5	2.0	30
Silen2 300	12.5	8.6	5	2.8	2.6	2.2	3.0	60



	A	B	C	D	E	F	G	H	I	KG
Silen2 50	665.5	222	314.5	327	118	368	268	13mm	63mm	13
Silen2 75	665.5	222	341.5	327	118	368	268	13mm	63mm	14
Silen2 100	665.5	222	341.5	327	118	368	268	13mm	63mm	15
Silen2 150	665.5	222	341.5	327	118	368	268	13mm	63mm	18
Silen2 200	665.5	222	341.5	327	118	368	268	13mm	63mm	21
Silen2 300	651.5	222	341.5	327	118	368	268	13mm	63mm	23



Single phase	Price	Three phase	Price
Silen2 50M	340	Silen2 50T	340
Silen2 75M	343	Silen2 75T	343
Silen2 100M	353	Silen2 100T	353
Silen2 150M	386	Silen2 150T	386
Silen2 200M	420	Silen2 200T	420
Silen2 300M	475	Silen2 300T	475