



Centrifugal pumps for circulation and filtration of medium to large swimming pools

Star



Applications

Recycling and filtering of water from medium and large swimming pools, aquatic attractions and similar places.

Materials

Pump Body and pre-filter

Cast iron

Impeller

Stainless steel AISI 316L (Star 30-65, 40-65, 55-80, 75-80, 100-80, Star 4 30-65)

Cast iron for the rest of the models

Motor shaft

Stainless steel AISI 316

Mechanical Seal

Graphite and ceramic.

Motor

Class F Insulation.

Protection IP 55.

Three phase motor to be protected externally by end user

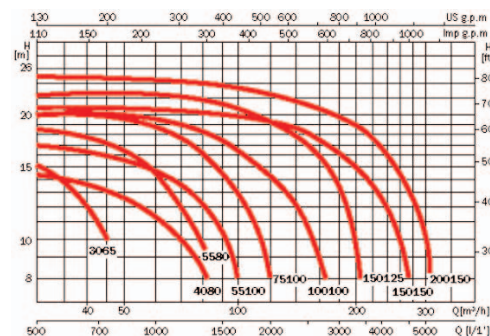
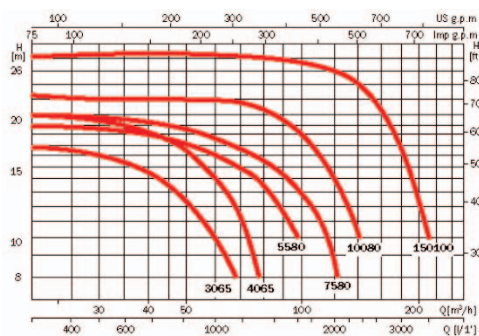
Voltage: 3 x 230/400V or

3 x 400/692V

50Hz, 2900 or 1450 rpm.

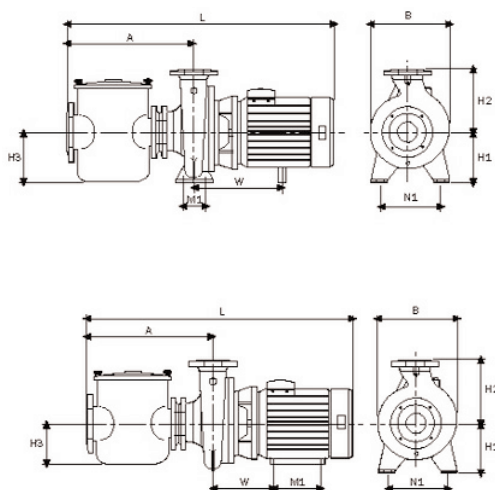
Model	Pump		Filter	Configuration
	øSuction	øDischarge	øSuction	
Star 4 30 65	DN 65	DN 50	DN 65	1
Star 4 40 80	DN 80	DN 65	DN 80	1
Star 4 55 80	DN 80	DN 65	DN 80	1
Star 4 55 100	DN 100	DN 80	DN 100	1
Star 4 75 100	DN 100	DN 80	DN 100	1
Star 4 100 100	DN 100	DN 80	DN 100	1
Star 4 150 125	DN 125	DN 100	DN 125	1
Star 4 150 150	DN 150	DN 125	DN 150	2
Star 4 200 150	DN 150	DN 125	DN 150	2

Model	Pump		Filter	Configuration
	øSuction	øDischarge	øSuction	
Star 30 65	DN 65	DN 50	DN 80	1
Star 40 65	DN 65	DN 50	DN 80	1
Star 55 80	DN 80	DN 65	DN 80	1
Star 75 80	DN 80	DN 65	DN 100	1
Star 100 80	DN 80	DN 65	DN 100	1
Star 150 100	DN 100	DN 80	DN 125	2



Star

Centrifugal pumps for circulation and filtration of medium to large swimming pools



MODEL	L	A	M1	W	B	N1	H1	H2	H3
Star 4 30 65	895	485	95	290	340	250	180	225	160
Star 4 40 80	895	485	355	245	335	250	180	225	160
Star 4 55 80	915	485	375	275	360	280	200	250	160
Star 4 55 100	940	510	375	275	400	315	200	280	160
Star 4 75 100	980	510	375	275	400	315	200	280	160
Star 4 150 125	1275	525	390	310	425	315	225	285	160
Star 4 150 150	1480	740	120	395	500	315	250	355	257
Star 4 200 150	1525	740	120	395	500	315	250	355	257

MODEL	L	A	M1	W	B	N1	H1	H2	H3
Star 30 65	870	485	70	285	255	190	132	160	160
Star 40 65	895	485	70	285	255	190	132	160	160
Star 55 80	985	485	95	292	285	212	160	180	160
Star 75 80	950	485	95	310	285	212	160	180	160
Star 100 80	965	485	95	310	285	212	160	180	160
Star 150 100	1015	510	210	330	332	254	180	225	160

Three phase	Price	A		P1 (kW)	P2		Manometric head (m)						
		3~			kW	HP	M ³ /H	8	10	12	14	16	18
		230V	400V	3~				8	10	12	14	16	18
Star 4 30 65	2,093	8.60	4.94	2.82	2.2	3.0		-	45	40	34	26	12
Star 4 40 80	2,163	11.47	6.55	3.7	3.0	4.0	82	70	55	35	0	-	-
Star 4 55 80	2,474	14.37	8.265	4.82	4.0	5.5	-	78	70	62	52	35	-
Star 4 55 100	2,874	14.37	8.265	4.82	4.0	5.5	100	92	80	65	45	0	-
Star 4 75 100	3,013	20.48	11.78	6.70	5.5	7.5	120	114	105	93	80	65	35
Star 4 150 125	3,834	36.84	21.18	12.5	11	15	-	205	192	177	160	138	108
Star 4 150 150	5,679	36.84	21.18	12.5	11	15	276	258	240	216	186	149	87
Star 4 200 150	5,794	49.73	28.59	16.85	15	20	316	300	282	264	240	216	186

Three phase	Price	A		P1 (kW)	P2		Manometric head (m)						
		3~			kW	HP	M ³ /H	8	10	12	14	16	18
		230V	400V	3~				8	10	12	14	16	18
Star 30 65	1,473	8.13	4.65	2.85	2.2	3		67	60	52	47	30	0
Star 40 65	1,712	10.71	6.17	3.9	3.0	4	78	73	67	60	52	42	20
Star 55 80	1,969	14.04	8.07	4.93	4.0	5.5	-	98	88	75	60	40	0
Star 75 80	2,175	19	10.92	6.7	5.5	7.5	123	115	100	90	75	55	-
Star 100 80	2,338	25.6	14.72	9.14	7.5	10	-	140	125	120	110	100	85
Star 150 100	3,204	36.34	20.9	12.94	11	15	-	210	200	190	180	168	155