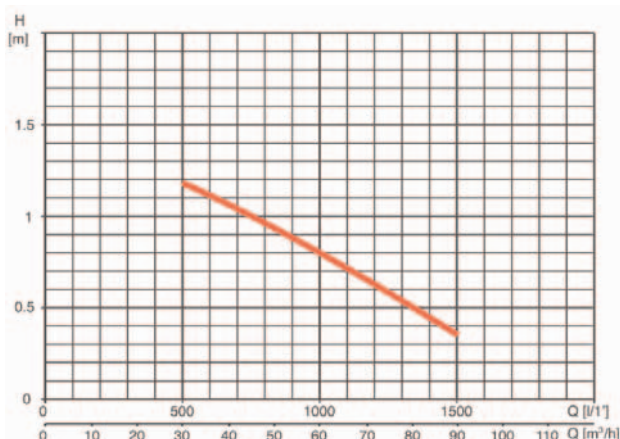




Air blower

Vento



MODEL	A	P1 (kW)	
	1~ 230 V	1~	3~
Vento 600	2.7	600	-
Vento 600 IN	2.7	600	-
Vento 600 RE	4	900	-
Vento 600 IR	4	900	-

Applications

Air blower for whirlpool baths.

Materials

Body

Polypropylene.

Impeller

Aluminium.

Diffuser

Polyamide.

Seals

O'rings in NBR.

Motor

Class B insulation.

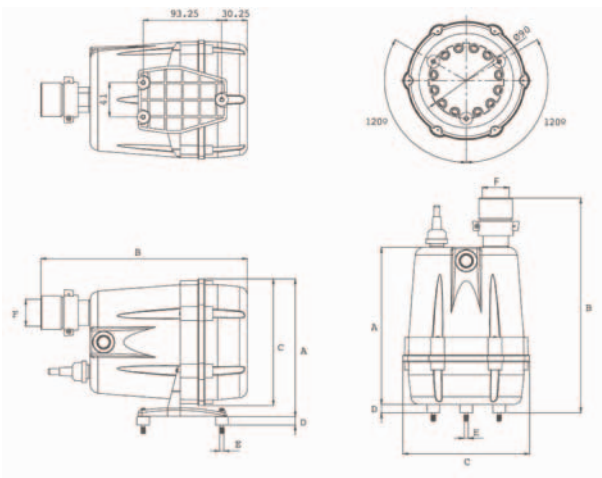
IP X5 Protection.

Continuous operation.

Further protection to be undertaken by installer.

Features

- Vento :** Vertically mounted.
- Vento H :** Horizontally mounted.
- Vento IN :** On/off Pneumatic switch
- Vento RE :** With 300 W heater.
- Vento IR :** With pneumatic switch On/off and 300 W heater.



	A	B	C	D	E	DNm	Kg
Vento	187	255	151	10	M5	32/40	2
Vento H	164	245	151	10	M5	32/40	2

Single phase Vertical	Price	Single phase Horizontal	Price	Flow [m³/h]	Manometric head [m]								
					0.4	0.5	0.6	0.7	0.8	0.9	1	1.2	
Vento 600	140	Vento 600 H	140	90	80	70	66	60	52	45	30		
Vento 600 IN	166	Vento 600 IN H	166	90	80	70	66	60	52	45	30		
Vento 600 RE	185	Vento 600 RE H	185	90	80	70	66	60	52	45	30		
Vento 600 IR	211	Vento 600 IR H	211	90	80	70	66	60	52	45	30		

Reversed Table

See our whirlpool accessories catalogue for full details